

Tiger Adjustable Angle Beam Clamp Model No BCA

1.0t and 3.0t capacities available

Quick and versatile rigging point for hoisting equipment when attached to overhead steel angle section approved for lifting applications

Shackle suspension point

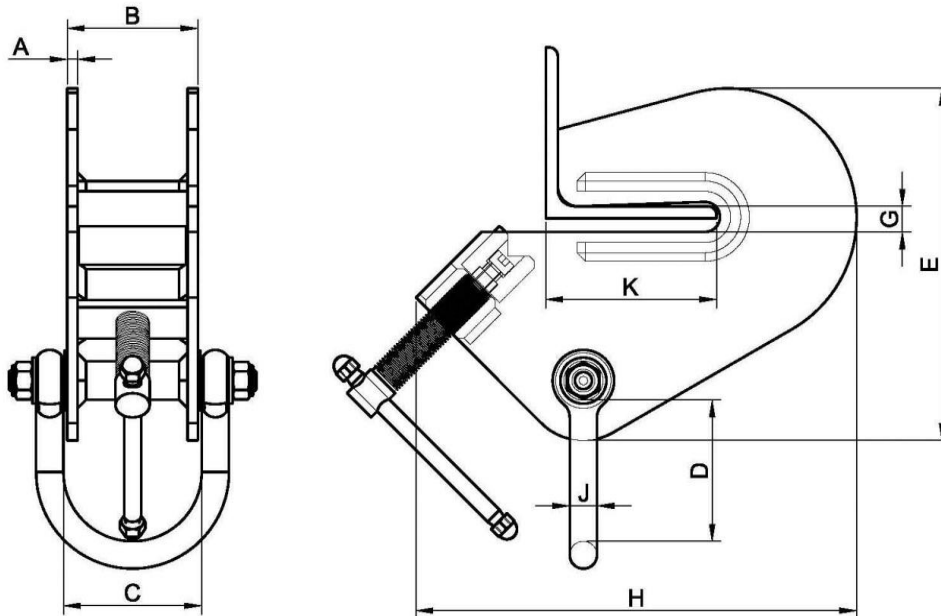
V shaped clamping jaws ensures safe and secure grip

Designed to accommodate a wide range of steel angle sections

No tools required – integrated adjusting screw spindle



Product Code	Capacity (tonne)	Dimensions (mm)									Weight (kg)
		A	B	C	D	E	G	H	J	K	
BCA-0100	1.0	6	76.5	81	83	206	15	258	16	38-101	6.5
BCA-0300	3.0	10	106.5	112	104	343	25.4	490	22	101-203	23.4



Certification:

Each unit comes fully certified with a test certificate or an EC Declaration of Conformity stating compliance with the essential health and safety requirements of the Machinery Directive 2006/42/EC.

Due to our policy of continual product development, dimensions, weights and specifications may change without prior notice. Please check with your Tiger sales team when ordering.