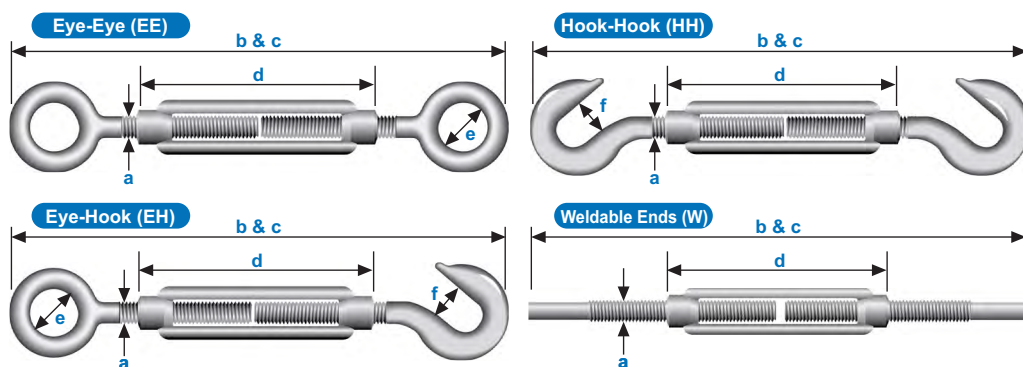


DROP FORGED TURNBUCKLES

Generally to DIN 1480

Available in:

- Eye-Eye (EE)
- Hook-Hook (HH)
- Eye-Hook (EH)
- Weldable ends (W)
- Material: Drop forged mild steel
- Standard: Generally to DIN 1480
- Finish: Electro-galvanized (Weldable ends: self coloured)



SPECIFICATIONS

Diameter Thread a mm	Overall Closed Length				Overall Open Length				Body Length d mm	Eye Inside Diameter e mm	Hook Opening f mm	Max Tension tons
	EE b mm	HH b mm	EH b mm	W b mm	EE c mm	HH c mm	EH c mm	W c mm				
6	160	184	172	240	246	270	258	326	110	9	8.0	0.22
8	168	200	184	240	248	280	264	320	110	10	10.5	0.41
10	210	234	222	300	300	323	311	389	125	14	13.0	0.66
12	222	260	241	300	305	343	324	383	125	16	16.0	0.94
14	244	278	261	330	334	368	351	420	140	18	18.0	1.32
16	300	322	311	400	416	438	427	516	170	22	20.0	1.80
20	334	382	358	440	466	514	490	572	200	24	21.0	2.75
22	372	456	414	440	527	601	559	585	220	27	24.0	3.30
24	410	496	453	520	587	673	630	697	255	27	26.0	4.00
30	440	550	495	520	605	715	660	685	255	31	34.0	6.62
36	554	640	597	600	740	825	782	780	295	38	46.0	9.28

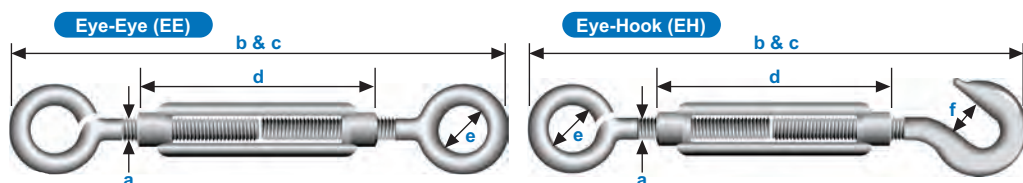
Maximum tension applies to eye and eye, others 33.3% of maximum tension.

DIE CAST TURNBUCKLES

Commercial Quality

Available in:

- Eye-Eye (EE)
- Eye-Hook (EH)
- Material: Body - Zinc Die Cast
- Hook and Eye - C15 (Bowed)
- Finish: Electro-galvanized



SPECIFICATIONS

Diameter Thread a mm	Take up mm	Overall Closed Length		Overall Open Length		Body Length d mm	Eye Inside Diameter e mm	Hook Opening f mm
		EE b mm	EH b mm	EE c mm	EH c mm			
4	29	85	77	114	106	45	7	5
5	47	105	109	152	156	70	8	6

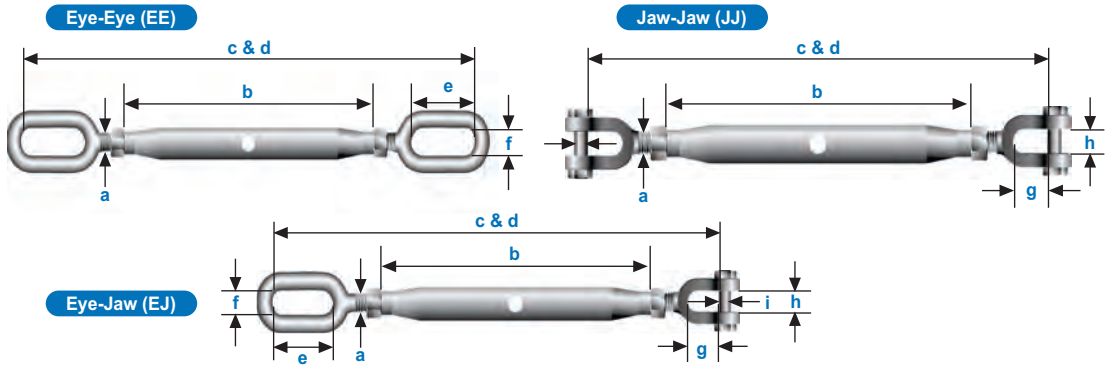
Also available: Stainless Steel Turnbuckles in 5, 6, 8, 10, 12, 16 and 20mm thread sizes.



CLOSED BODY RIGGING SCREWS

With Drop-Forged End Fittings and Lock-Nuts

Available in:
 Eye-Eye (EE)
 Jaw-Jaw (JJ)
 Eye-Jaw (EJ)
 Material: Mild Steel
 Safety Factor: MBL equals 5 X WLL
 Finish: Hot dipped galvanized



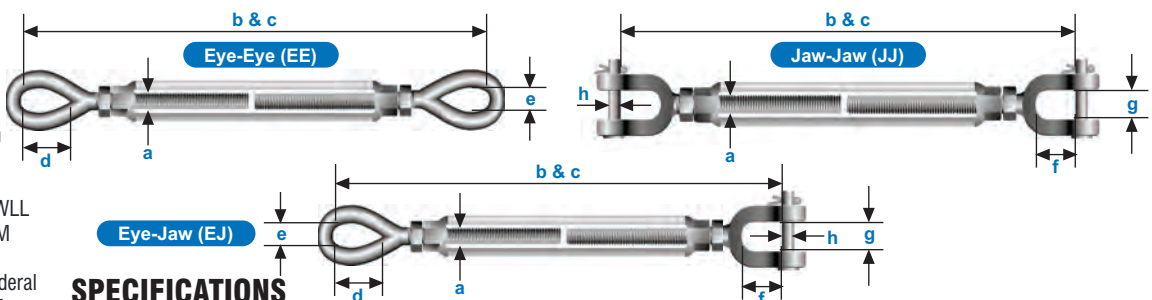
SPECIFICATIONS

Working Load Limit Tons	Trade Size mm	Diameter Thread a mm	Body Length b mm	Closed Length			Open Length			Eye Inside Length e mm	Eye Inside Width f mm	Jaw Inside Length g mm	Jaw Inside Width h mm	Jaw Pin i mm
				EE c mm	JJ c mm	EJ c mm	EE d mm	JJ d mm	EJ d mm					
0.5	10	10	125	205	222	214	300	312	306	13	13	22	10.5	8
0.7	12	12	195	298	315	307	458	470	464	19	15	27	13	10
1.2	16	16	230	356	388	372	531	568	549	28	20	33	18	12
1.5	20	20	270	423	449	436	628	654	641	34	24	38	20	16
2.2	22	22	295	463	490	477	688	715	701	34	24	45	25	20
3.2	24	24	325	502	538	520	752	793	772	37	28	52	30	22
4.8	32	33	370	602	680	641	882	965	923	41	35	70	38	30
6.0	38	39	400	651	707	679	951	1002	976	45	40	70	45	33
8.0	45	45	400	721	761	741	879	1011	945	49	49	86	50	39
11.0	48	48	400	767	780	774	1032	1005	1018	52	52	97	58	45

HEAVY DUTY TURNBUCKLES

Generally to ASTM F1145-92

Available in:
 Eye-Eye (EE)
 Jaw-Jaw (JJ)
 Eye-Jaw (EJ)
 Material: Drop Forged High Tensile Steel SAE 1035 or 1045
 Safety Factor: MBL equals 5 X WLL
 Standard: Generally to ASTM F1145-92 (formerly U.S. Federal Specification FF-T-791b)
 Finish: Jaw Ends have Cotter Pins



SPECIFICATIONS

Working Load Limit Tons	Trade Size mm	Diameter Thread a mm	Take Up inch	Closed Length			Open Length			Eye Inside Length d mm	Eye Inside Width e mm	Jaw Inside Length f mm	Jaw Inside Width g mm	Jaw Pin h mm
				EE b mm	JJ b mm	EJ b mm	EE c mm	JJ c mm	EJ c mm					
9.7	38	1 1/2	12	756	675	716	1023	941	982	105	54	71	52	35
12.7	45	1 3/4	18	1019	933	980	1396	1310	1356	119	60	86	59	42
16.8	51	2	24	1264	1153	1208	1783	1672	1728	147	69	93	63	51
27.2	64	2 1/2	24	1429	1254	1341	1965	1830	1866	165	80	114	75	57

Also available: Long Body Turnbuckles to ASTM F1145-92 (formerly U.S. Federal Specification FF-T-791b) with 1/4, 5/16, 3/8, 1/2, 5/8, 3/4 and 1 inch threads.
 Stainless Steel Closed Body Rigging Screws in 6, 8, 10, 12 and 16mm thread sizes.