

Hoists and Crane components made by STAHL CraneSystems GmbH Germany



General facts:

- Lifting capacity 500 kg up to 250.000 kg
- Standard duty group M4 up to M6 (optional M7, M8)
- HOL from 6m up to 120m for standard applications, up to 200m on specification
- Various executions available (short headroom monorail, normal headroom monorail, articulated monorail trolley, stationary – foot mounted, double rail grab)
- Standard 2-speed motors on hoisting and cross travel (VSD as option)
- Non ex proof as well as Zone 1, Zone 2, Zone 22, Zone 21 available

Technical facts:

- Rope guide ductile iron 360° - alternative with overwinding system
- Painting standard 80 micro, as option 120, 160, 240 or even 320 micro for offshore application
- Overload device SLE/SMC (with hours counter) for all lifting capacities as standard with monitoring temperature control of all motors and increase lifetime of brakes due to motor management
- Gear limit switch as standard with up to 8 switching elements as option
- IP55 as standard protection
- -20°C to +40°C ambient temperature
- Hoist control supplied with full contactor or without (only with overload device + gear limit switch)
- Motor supply voltage 380V-415V as standard, other voltages (525V) as option
- C-hook as standard, alternative ramshorn hook or w/o hook

Options – not necessary but good to have:

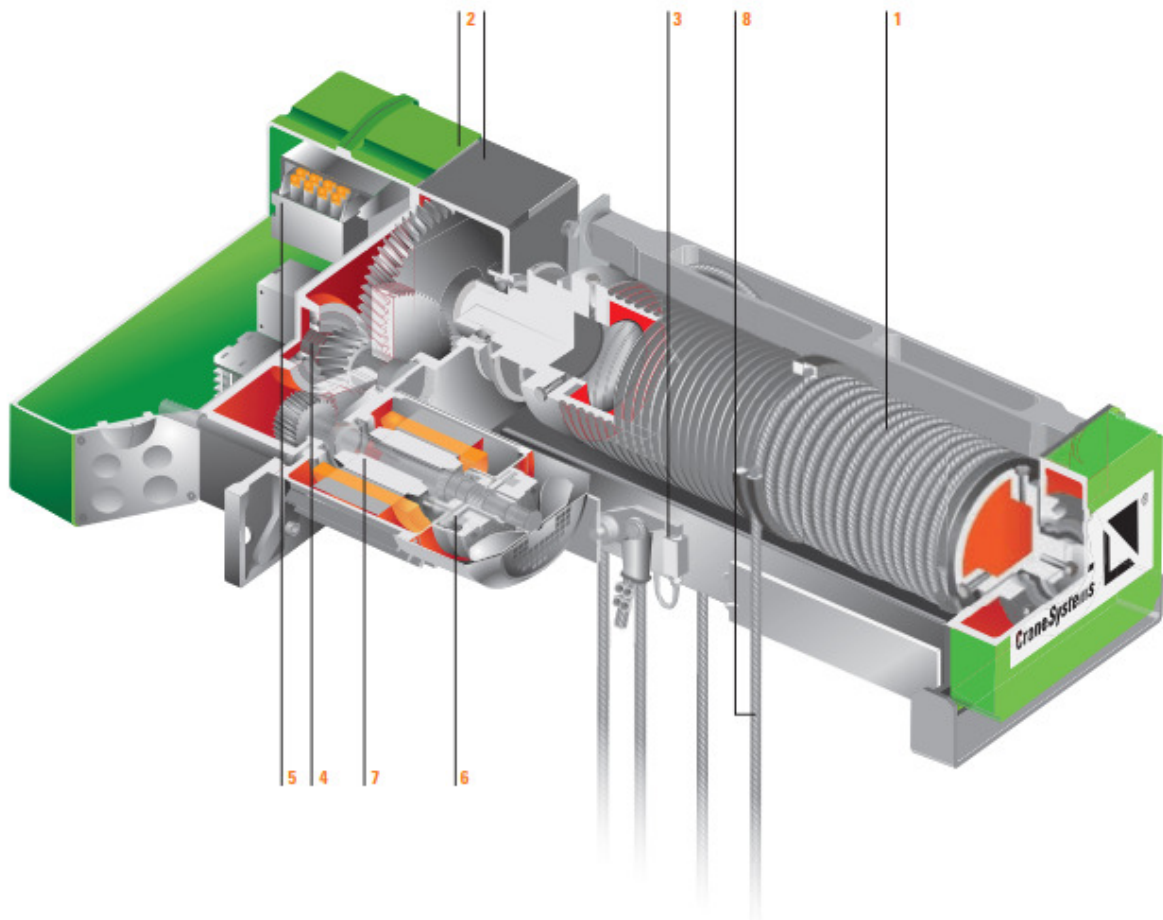
- Manual release of hoist brake if power cut off
- Rope drum brake as redundant brake system provides increased safety
- Protection IP66 for outdoor applications
- -40°C to +80°C ambient temperature

- Load display
- Signal transmitter for hoisting or/and travelling movement
- TDC Twind drive for hot liquid metal transport
- Several lifting points without hook displacement

Service points:

- Rope guide ring 360° rope tensioner to avoid the formation of slack rope: bolted with 2 pieces for quick replacement and not to remove the hole rope drum
- Gears with lifetime lubrication oil
- Low maintenance asbestos-free brake
- Brake easily accessible for inspection from outside
- Hoisting motor outside rope drum, highly efficient motor cooling and maintenance friendly

1. Rope and rope guide	5. SLE/SMC control and motor management
2. Paint	6. Brake
3. Overload cut-off	7. Motor
4. Hoist gear	8. rope drive



Documentation for each hoist:

- Works certificate
- Hook certificate
- Rope certificate
- Declaration of Conformity
- Installation, Operational and maintenance manual
- Spare part list

As additional:

- Product training and service training could be provided by demand
- 1 year warranty as standard, 2 years as optional