

# 3/4" Air Impacttools™



**NEW**

2145QiMAX

2145QiMAX-3

2145QiMAX-6

- 2145QiMAX** - Short anvil
- 2145QiMAX-3** - 75 mm anvil
- 2145QiMAX-6** - 150 mm anvil

- 1 830 Nm (1 350 ft-lb).
- Only 3.35 kg (2145QiMAX).
- Twin-hammer impact mechanism.
- Steel hammer case and composite housing.
- 1-hand forward and reverse switch.
- 4-position power regulator.
- Accessories: **2145M-BOOT** (CPN: 48385033), protective tool boot.

- 2161XP** - Short anvil
- 2161XP-6** - 150 mm anvil

- 1 695 Nm (1 250 ft-lb).
- Only 5.4 kg (2161XP).
- Twin-hammer impact mechanism.
- Steel hammer case.
- 3-position power regulator.

Accessories: **2161-BOOT** (CPN: 45505401), protective tool boot.

- 259** - Short anvil

- 1 424 Nm (1 050 ft-lb).
- Only 4.0 kg and 218 mm.
- Swinging-hammer impact mechanism.
- 2-position power regulator.

Accessories: **259-BOOT** (CPN: 45661899), protective tool boot.

- SK6M6L** (CPN: 81287401)

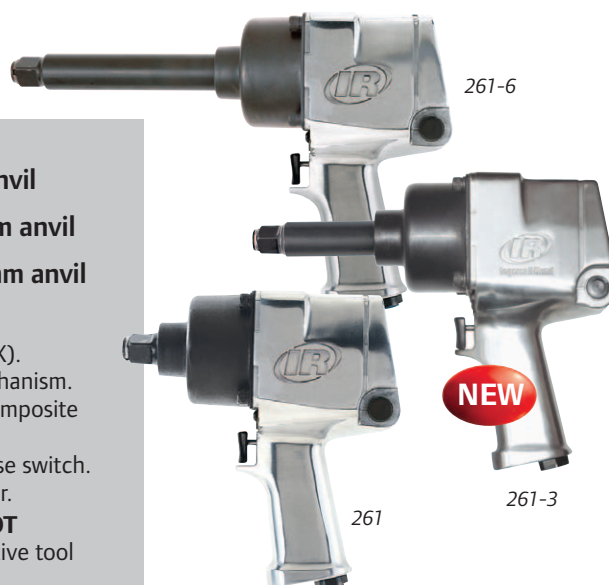
3/4" socket set. Contains 6 extended sockets (24, 27, 30, 32, 33 and 36 mm).



2161XP

2161XP-6

259



261-6

261

261-3

**NEW**

- 261** - Short anvil
- 261-3** - 75 mm anvil
- 261-6** - 150 mm anvil

- 1 491 Nm (1 100 ft-lb).
- Jumbo-hammer impact mechanism.
- Steel hammer case.
- 5-position power regulator
- Accessories: **261-BOOT** (CPN: 45505468), protective tool boot.

## Service Kits



	A	B
<b>2145QiMAX</b>	47100011	47102561
<b>2145QiMAX-3</b>	47100011	47102561
<b>2145QiMAX-6</b>	47100011	47102561
<b>2161XP</b>	04621744	-
<b>2161XP-6</b>	04621744	-
<b>261</b>	03866597	22039259
<b>261-3</b>	03866597	-
<b>261-6</b>	03866597	-
<b>259</b>	45663796	45663853

## Specifications at 6.2 bar (90 psi)

	CPN	Nm	Max. Nm	1 min. rpm	1 min.	kg	L	AIR	AIR	L/s	Max L/s	dB(A)	m/s <sup>2</sup> / K(1)
3/4" ■		Nm	Nm	rpm	mm	mm	mm	NPTF	mm				
<b>2145QiMAX</b>	45624327	271-1 220	1 830	6 300	1 150	3.35	217	3/8"	13	4.0	15.1	96.3	8.7 / 2.7
<b>2145QiMAX-3</b>	47119524	271-1 220	1 830	6 300	1 150	3.79	293	3/8"	13	4.0	15.1	96.3	8.1 / 1.2
<b>2145QiMAX-6</b>	47121454	271-1 220	1 830	6 300	1 150	4.23	369	3/8"	13	4.0	15.1	96.3	8.1 / 1.2
<b>2161XP</b>	01372085	407-1 356	1 695	6 000	1 025	5.35	216	3/8"	13	4.7	21.5	94.7	9.8 / 1.8
<b>2161XP-6</b>	01372093	407-1 356	1 695	6 000	1 025	5.94	370	3/8"	13	4.7	21.5	94.7	9.8 / 1.8
<b>261</b>	01209758	271-813	1 491	5 500	1 000	5.62	224	3/8"	13	4.5	17.9	98.1	10.4 / 1.3
<b>261-3</b>	01211101	271-813	1 491	5 500	1 000	5.90	300	3/8"	13	4.5	17.9	98.1	10.4 / 1.3
<b>261-6</b>	01217199	271-813	1 491	5 500	1 000	6.21	376	3/8"	13	4.5	17.9	98.1	10.4 / 1.3
<b>259</b>	45631918	271-1 085	1 424	6 500	1 000	4.00	218	3/8"	10	3.8	14.2	91.6	6.4 / 0.8

(1) ISO28927 - 3-axis measurement: vibration level / measurement uncertainty.