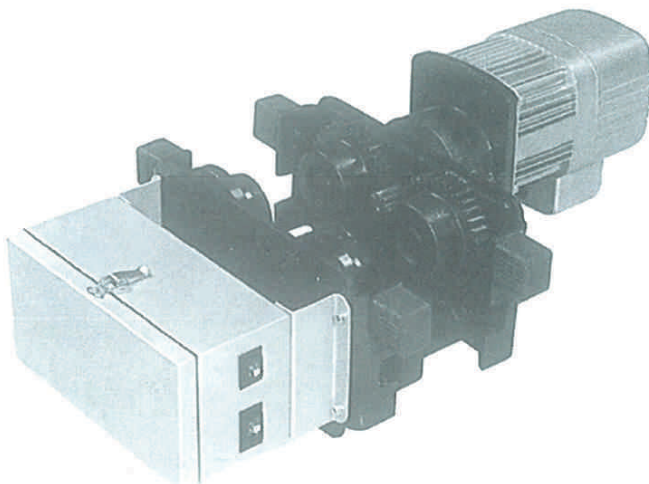
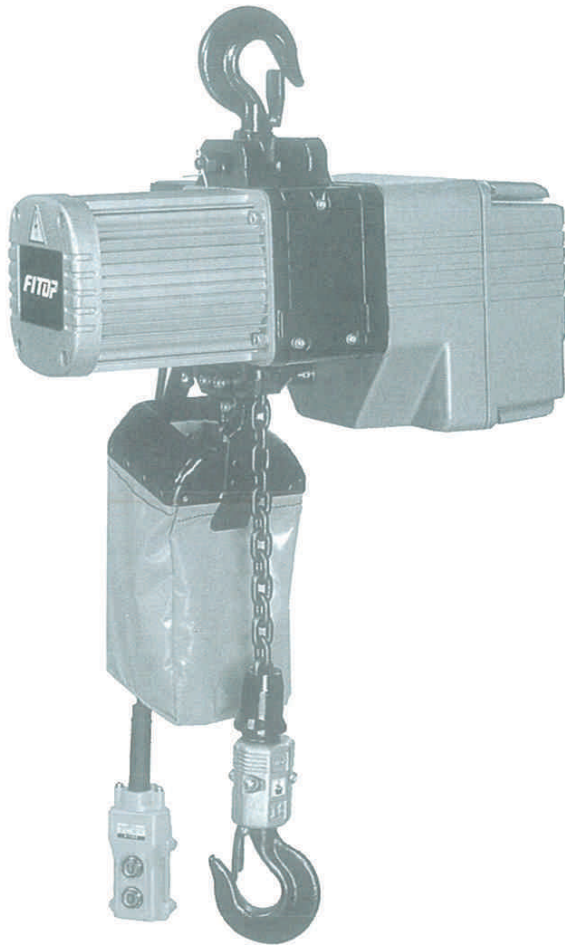


FITOP ELECTRIC HOISTS AND MOTORIZED CRAWLS

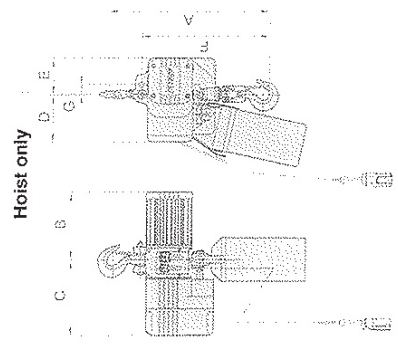


- Low headroom design.
- High duty cycle, 360 starts per hour standard.
- Heavy duty hoist motor with class H insulation.
- Ideal lifting speeds.
- High output motors.
- Negative phase detector.
- True modular design.
- Grade 80 super alloy load chain, 6 to 1 safety factor.
- Chain bag standard.
- The unique D.C. brake design does not break the kinetic bond between the holding brake and the lifted load. The brake design also incorporates a manual release mechanism in case of power failure.
- Overload protection via advanced external slip clutch.
- Sealed electrical enclosure.
- Upper and lower paddle type limit switch has built-in chain guides.
- Lightweight pendant is double insulated and ergonomically designed.
- 48 volt low-voltage control standard.
- Motorized crawl includes D.C. disc brake and control.
- Motorized crawl hoists are supplied with a four-button pendant control.
- Standard voltages: 380V/50Hz, and 525V/50Hz.

SPECIFICATIONS AND DIMENSIONS

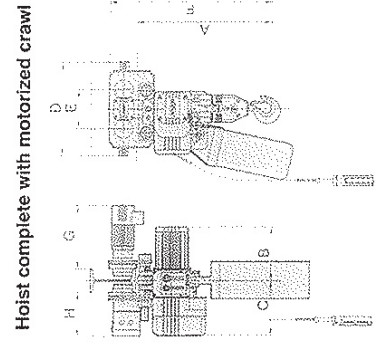
Capacity (ton)	Single or dual speed	Output (kW)	Speed (m/min)	Chain falls	Chain dia (mm)	Weight (kg)	A (mm)	B (mm)	C (mm)	D (mm)	E (mm)	F (mm)	G (mm)
1/2	Single	0.94	8	1	5.6	37	410	215	264	158	105	319	38
1/2	Dual	0.94/0.31	8/2.7	1	5.6	39	410	255	264	158	105	319	38
1	Single	1.88	8	1	7.1	52	542	229	256	161	124	430	33
1	Dual	1.88/0.63	8/2.7	1	7.1	57	542	269	256	161	124	430	33
2	Single	3.75	8	1	10	118	697	290	297	200	143	557	47
2	Dual	3.75/1.25	8/2.7	1	10	122	697	331	297	200	143	557	47
2	Single	1.88	4	2	7.1	57	654	229	256	194	91	514	33
3	Single	3.75	4.8	2	10	132	834	290	297	247	96	668	47
3	Dual	3.75/1.25	4.8/1.6	2	10	136	834	331	297	247	96	668	47
5	Single	4.5	3.7	2	11.2	146	867	310	297	247	96	697	47
5	Dual	4.5/1.5	3.7/1.2	2	11.2	150	867	360	297	247	96	697	47

Weight includes 3 metre lift



Capacity (ton)	Single or dual speed	Output (kW)	Speed (m/min)	Chain falls	Chain dia (mm)	Weight (kg)	A (mm)	B (mm)	C (mm)	D (mm)	E (mm)	F (mm)	G (mm)	H (mm)
1/2	Single	0.94	8	1	5.6	59	470	215	264	390	152	478	334	231
1/2	Dual	0.94/0.31	8/2.7	1	5.6	61	470	255	264	390	152	478	374	231
1	Single	1.88	8	1	7.1	93	617	229	256	390	152	717	334	231
1	Dual	1.88/0.63	8/2.7	1	7.1	98	617	269	256	390	152	717	374	231
2	Single	3.75	8	1	10	166	787	290	297	440	182	897	345	239
2	Dual	3.75/1.25	8/2.7	1	10	170	787	331	297	440	182	897	385	239
2	Single	1.88	4	2	7.1	90	792	229	256	440	182	897	345	239
3	Single	3.75	4.8	2	10	205	944	290	297	510	212	1089	345	239
3	Dual	3.75/1.25	4.8/1.6	2	10	209	944	331	297	510	212	1089	385	239
5	Single	4.5	3.7	2	11.2	266	992	310	297	586	252	1167	394	247
5	Dual	4.5/1.5	3.7/1.2	2	11.2	270	992	360	297	586	252	1167	394	247

Weight includes 3 metre lift



Capacity (ton)	Single or dual speed	Output (kW)	Speed (m/min)	Beam adj (mm)	Wheel dia (mm)	Min radius (mm)	D (mm)	E (mm)	G (mm)	H (mm)	I (mm)
1	Single	0.25	21	75-175	66	800	390	152	334	231	88
1	Dual	0.23/0.08	21/7	75-175	66	800	390	152	374	231	88
2	Single	0.25	21	100-200	88	800	440	182	345	239	106
2	Dual	0.23/0.08	21/7	100-200	88	800	440	182	385	239	106
3	Single	0.75	17	100-250	110	1000	510	212	345	239	129
3	Dual	0.57/0.19	17/5.6	100-250	110	1000	510	212	385	239	129
5	Single	0.75	18	125-300	145	1800	586	252	394	247	148
5	Dual	0.57/0.19	18/6	125-300	145	1800	586	252	394	247	148

Refer 'Vitalift' Crawls leaflet for specifications on plain and geared crawls

Motorized crawl

