

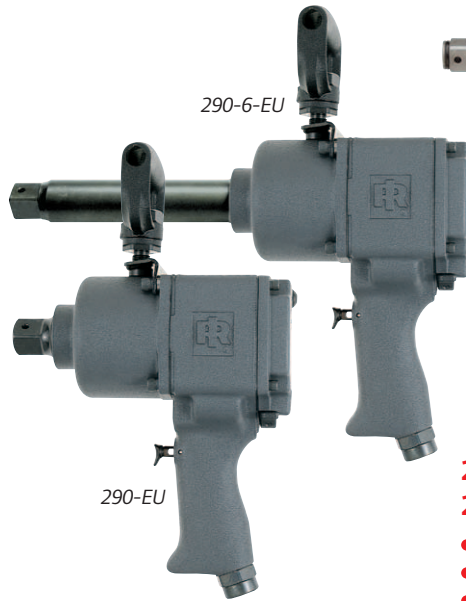
# 1" Air Impacttools™ / Pistol Handle

**NEW**

## 2155QiMAX

- 1 830 Nm (1 350 ft-lb).
- Only 3.36 kg.
- Twin-hammer impact mechanism.
- Steel hammer case and composite housing.
- 1-hand forward and reverse switch.
- 4-position power regulator.

Accessories: **2145M-BOOT** (CPN: 48385033), protective tool boot.



290-EU

290-6-EU



295A

295A-6

## 295A - Short anvil 295A-6 - 150 mm anvil

- Designed for operation at 8.3 bar.
- 2 400 Nm (1 700 ft-lb) at 8.3 bar.
- Swinging-hammer impact mechanism.
- 3-position power regulator.

Accessories: **295-BOOT** (CPN: 45505484), protective tool boot.



2171XP

2171XP-6

## 290-EU - Short anvil 290-6-EU - 150 mm anvil

- 2 169 Nm (1 600 ft-lb).
- Jumbo-hammer impact mechanism.

## 2171XP - Short anvil 2171XP-6 - 150 mm anvil

- 1 695 Nm (1 100 ft-lb).
- Only 5.47 kg (2171XP).
- Twin-hammer impact mechanism.
- Steel hammer case.
- 3-position power regulator.

Accessories: **2161-BOOT** (CPN: 45505401), protective tool boot.

## 271

- 1 491 Nm (1 100 ft-lb).
- Jumbo-hammer impact mechanism.
- Steel hammer case.
- 5-position power regulator.

Accessories: **271-BOOT** (CPN: 45505468), protective tool boot.

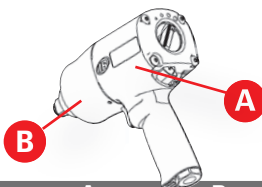


Specifications at 6.2 bar (90 psi)

1" ■	CPN	Nm	Max. Nm	1 min. rpm	1 min.	kg	L	AIR	AIR	L/s	Max L/s	dB(A)	m/s <sup>2</sup> / K <sup>(1)</sup>
		Nm	Nm	rpm	mm		mm	NPTF	mm				
290-EU	01343177	203-1 356	2 169	6 000	800	9.93	248	1/2"	19	4.7	28.3	104.6	22.7 / 2.6
290-6-EU	01343169	203-1 356	2 169	6 000	800	10.75	388	1/2"	19	4.7	28.3	104.6	15.8 / 5.2
295A	80159015	136-1 220	2 400 <sup>(2)</sup>	5 000	700	9.98	290	1/2"	13	4.7	17.5	97.0	8.6 / 1.0
295A-6	16578734	136-1 220	2 400 <sup>(2)</sup>	5 000	700	11.4	449	1/2"	13	4.7	17.5	97.0	9.1 / 2.9
2155QiMAX	47123450	271-1 220	1 830	6 300	1 150	3.36	225	3/8"	13	4.0	15.1	96.3	8.7 / 2.7
2171XP	01378165	407-1 356	1 695	6 000	1 025	5.47	226	3/8"	13	4.7	21.5	94.7	10.3 / 1.3
2171XP-6	16619801	407-1 356	1 695	6 000	1 025	6.76	360	3/8"	13	4.7	21.5	94.7	9.9 / 3.0
271	01209766	271-1 224	1 491	5 500	1 000	5.67	226	3/8"	13	4.5	17.9	98.1	13.2 / 1.1

(1) ISO28927 – 3-axis measurement: vibration level / measurement uncertainty — (2) at 8.3 bar (90 psi).

## Service Kits



	A	B
290-EU	03866613	-
290-6-EU	03866613	-
295A	16590242	-
295A-6	16590242	-
2155QiMAX	47100011	47102561
2171XP	04621744	80137698
2171XP-6	04621744	80137714
271	03866597	-

## Protective Tool Boots

